

You Can Increase Your Filler Speed by 15%-75% by Simply Upgrading Valves.

This could more than double the profitability of your line!

If your production demands have increased and you need to increase filling speeds, you can achieve this with a simple change of valves. You should see improvements of 15%-75% more production out of the same filler!

Fogg proudly introduces their new, patented, Tri-Line® Quick Start Valve! The new Tri-Line® Quick Start valve offers technology so advanced that the speed of the equipment is only limited by the capability of the drive train and the capping technology. This innovation increases fill speeds by as much as 500%. The major speed gains are realized mostly with small bottles from 30 ml – 1 liter (1oz. – 32 oz.).

With this valve there is immediate filling action to increase production speeds. The applications are limitless for the Tri-Line® Quick Start valve. From alcohol to drinking yogurt, you'll see improvements.

Quick Start Tri-Line® Model 1000 -

- Patented design for **immediate flow for smaller bottles**
- Significantly increases fill speed of all bottles less than 32 oz.
- Cold, ambient, hot, or pulpy fill for all flowable liquids
- Meets/exceeds 3A standard
- Tool-less external removable and disassembly

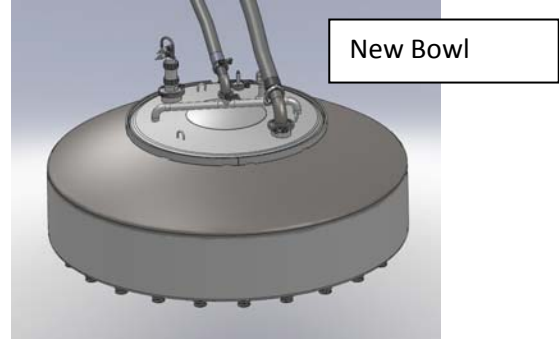
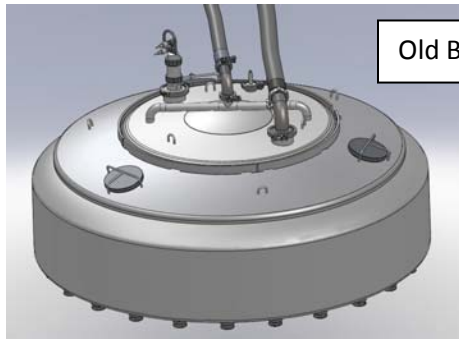


Quick Start Tri-Line® Model 3000 -

- Patented design for immediate flow for smaller bottles
- Significantly increases fill speed of all bottles less than 32 oz. with the **largest capacity and aggressiveness**
- Cold, ambient, hot, or pulpy fill for all flowable liquids
- Meets/exceeds 3A standard
- Tool-less external removable and disassembly



Fogg's new filler bowl design makes the machine very user friendly and eliminates several parts, ultimately lowering the cost of operations. The improved filler bowl design has eliminated the need for hand cleaning of the upper bowl gasket. By eliminating the second layer of the lid there is no longer an o-ring that needs to be hand washed. It will also greatly reduce condensation that escaped from these o-rings keeping the outside of the bowl clean.



If your bowl was not originally designed for a Tri-Line® valve you will need to buy a new bowl to accommodate the new Quick Start Tri-Line® valves. You may also want to upgrade to the new lid style.

Please call 616-738-0292 for a quote today!

Greg Weighmink

Parts Manager